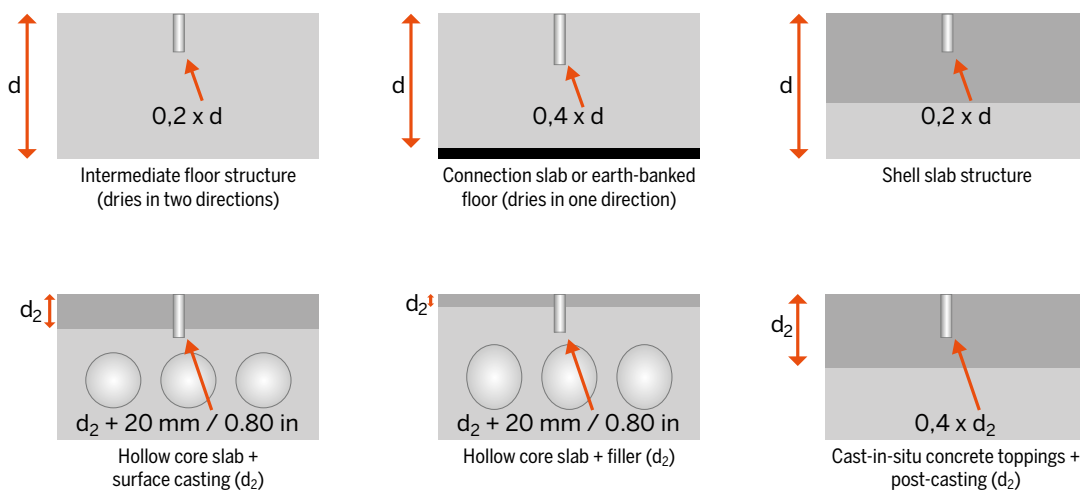




## Installation of eGate NSens concrete RH & T sensor

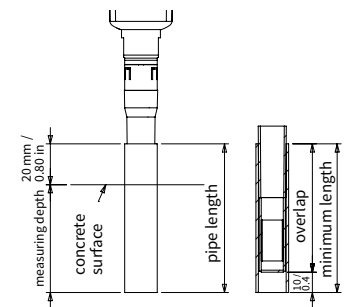
**1.** Drill a hole ( $\varnothing$  16 mm (5/8")) in the depth presented in the chart below using dry method. Maximum measuring depth 70 mm / 2.75 in.



**2.** The bore holes are carefully cleaned of drilling dust using a vacuum cleaner or compressed air.

**3.** A plastic hole liner is placed in the bore hole all the way to the bottom. The length of the conduit is measuring depth (max 70 mm / 2.75 in) + 20 mm / 0.80 in. The minimum length of the conduit can be determined by measuring how much the conduit and the sensor overlap and by adding 10 mm / 0.40 in to this measurement. The conduit is cut to the larger measurement.

The sensor may not touch the bottom of the bore hole, but must remain at least 10 mm / 0.40 in away from the bottom.



**4.** The seams of the conduit and the casting, as well as the sensor and the conduit are carefully sealed by a layer of Blu-Tack.

**5.** Installation guide for Multitech Conduit® IP67 Base Station 200 Series.

[www.multitech.com/documents/publications/getting-started-guides/82130900L\\_MTC TIP2\\_Installation\\_Guide\\_online\\_ext.pdf](http://www.multitech.com/documents/publications/getting-started-guides/82130900L_MTC TIP2_Installation_Guide_online_ext.pdf)



**6.** Make sure in the eGate online service that the measurement data of the transmitters is transmitted. Sign up to the online service at [app.e-gate.io](http://app.e-gate.io) and make sure that new measurement data is transmitted to the measuring channels corresponding with the transmitters. Please note that the transmitters send data every 15 minutes.